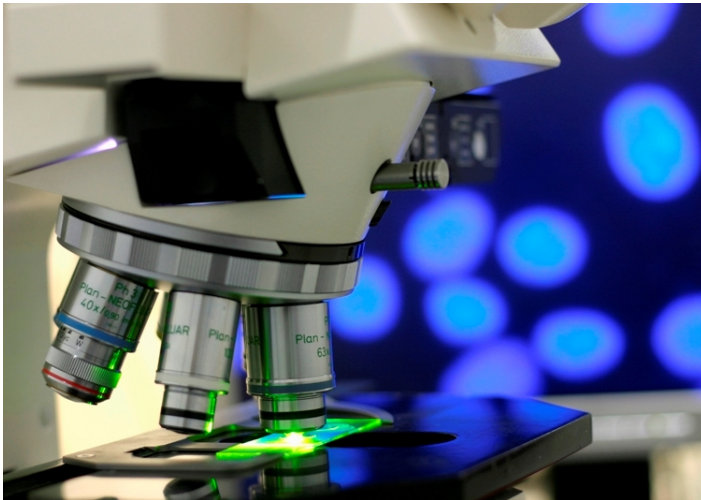


## Product Bulletin

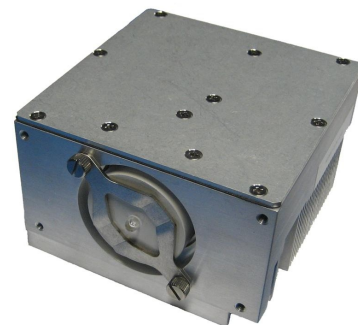
# LIFI® INT 30 Series

## Optimized Lighting Solutions for Instrument Lighting



- 2800 lumens into a 5 mm fiber
- Continuous spectrum with 95 CRI
- Useful lifetime 5-10 times longer than conventional Xenon lamps
- Ultra low flicker
- Dimming and control
- Less than 2% mercury as HID lamps
- UVA output for UV imaging
- Reliable and safe

Ideal for Fluorescence  
Microscopy, Endoscopy,  
Medical Lighting, Inspection  
and Machine Vision

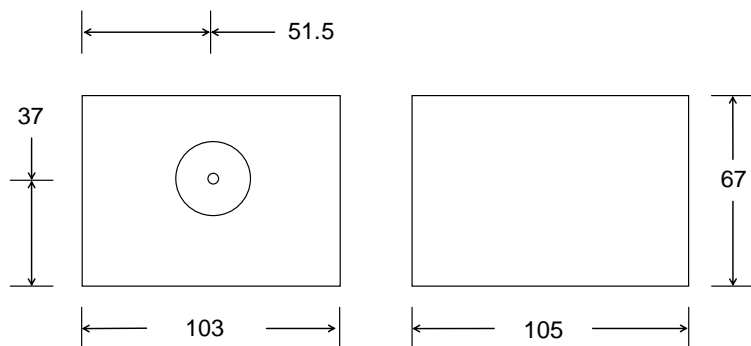


LIFI® INT 30 Series Products  
 Typical Product Data at-a-Glance

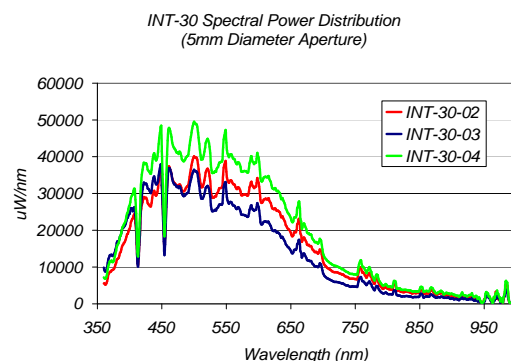
Part Description	LIFI® light source	LIFI® light source	LIFI® light source
Ordering Codes	LIFI-INT-30-02	LIFI-INT-30-03	LIFI-INT-30-04
Enclosure L x W x H (mm) <sup>1</sup>	105 x 103 x 67	105 x 103 x 67	105 x 103 x 67
Rated Average Life (hrs.) <sup>2</sup>	10000	10000	10000
Total Initial Lumens <sup>3</sup>	2260	1950	2800
Turn-on time (sec.)	10	10	10
CCT (kelvins)	6400	7650	6500
CRI	95	95	95
Dimming Range (%)	20-100	20-100	20-100
Max. Power (Watts)	238	238	238
DC Input Voltage	28	28	28
Input Current (A)	8.5	8.5	8.5

<sup>1</sup> Without optics attachment  
<sup>2</sup> Defined as time to 50% of original brightness  
<sup>3</sup> Measured through 5 mm diameter circular aperture in focused condition

LIFI® Dimensions (mm)



Spectral Power Distribution



**LUXIM® Corporation**  
 1171 Borregas Avenue  
 Sunnyvale, CA 94089  
 tel: +1-408-734-1096  
 email: [info@LUXIM.com](mailto:info@LUXIM.com)  
[www.LUXIM.com](http://www.LUXIM.com) • [www.LIFI.com](http://www.LIFI.com)