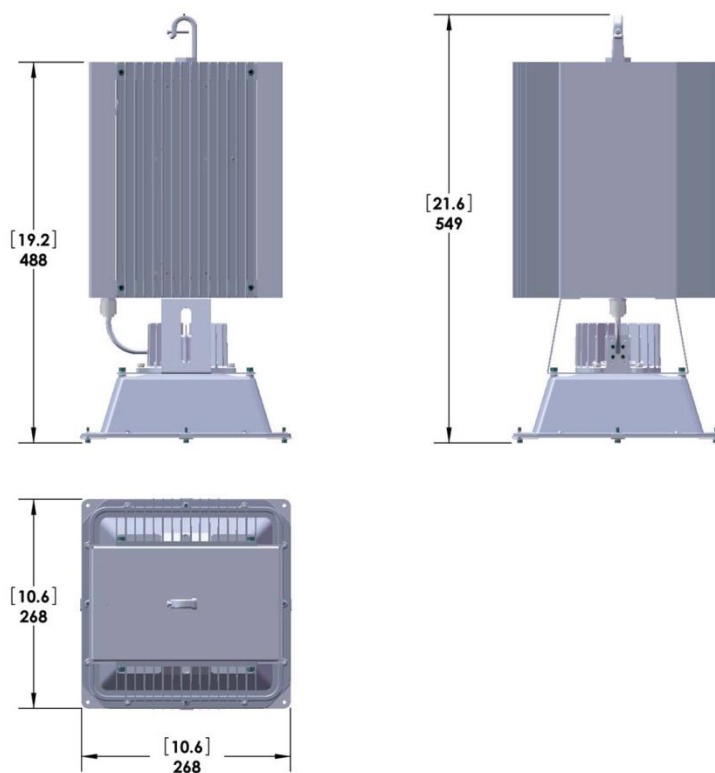
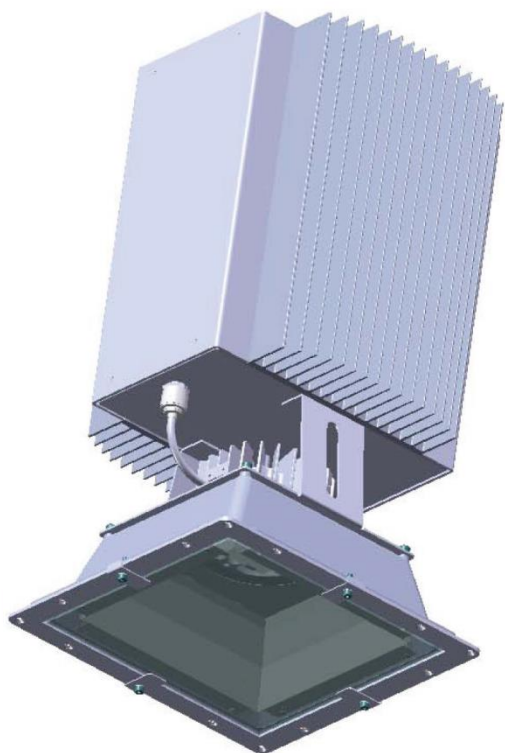


# H Series High Bay Luminaire

Featuring Light Emitting Plasma™ from LUXIM®



**HOUSING** - Diecast aluminum lamp housing, extruded aluminium heatsinks. All fasteners are stainless steel.

**OPTICAL** - Offered with 90° Open°, 45° Narrow, and Aisle way reflectors. Reflector is made with highly reflective, lighting grade aluminum and die-formed faceted surfaces. Lens is made of clear tempered high-transmission soda-lime glass. Solite™ (prismatic), or very high transmission anti-reflective glass are optional. All photometry is performed by a certified independent photometric testing laboratory.

**LIGHT SOURCE** - Luminaire features LEPTM light source from LUXIM. The system can be dimmed. Lamp starts rapidly typically reaching full output within 65 seconds; hot re-strike time is 2 minutes

**ELECTRICAL** - Luminaire supplied with high power factor (>.94) and low THD (<20%) AC/DC power supply. Surge protection built in up to 2kV suppression in accordance with IEEE/ANSI C62.41.2. All components are UL recognized. Luminaire components are rated from -40C to +45C ambient.

**MOUNTING** - Luminaire is supplied with a mounting hook and a 36" power cord.

**FINISH** - Luminaire is polyester powder coated in natural color for a long lasting durable finish.

**COMPLIANCE** - Conforms to UL STD 1598; Certified to CAN/CSA STD C22.2 No. 250.0. CE product safety compliant, tested to IEC 60598-2-3.

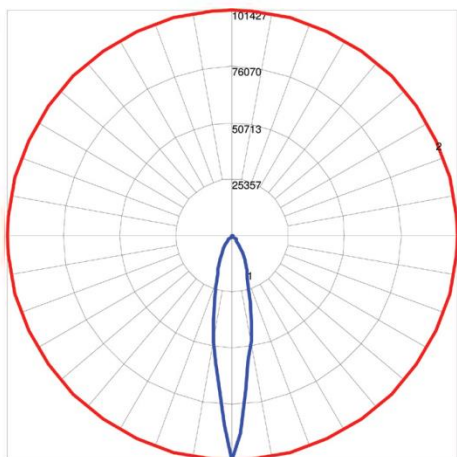
### LAMP OPTIONS

Product Code	41-01	41-02	25-03
Lamp Lumens	23,000	17,000	11,000
Watts	270	270	160
Life Hours	50,000	50,000	50,000
CRI	72	92	70
CCT	5200	5200	5800



HSeries High Bay Luminaire

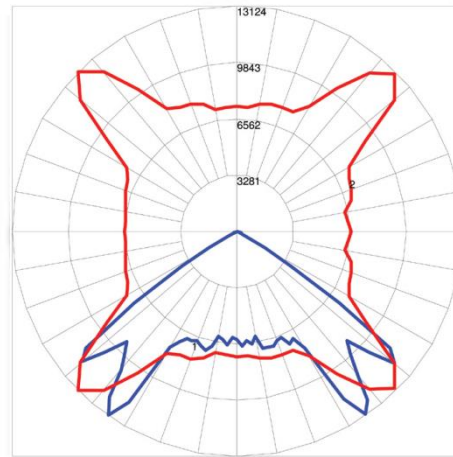
PHOTOMETRICS 22° NARROW



Plot generated with nominal STA-41-01 light source.

Maximum Candela = 101426.78  
 Located At Horizontal Angle = 0, Vertical Angle = 0  
 # 1 - Vertical Plane Through Horizontal Angles (0 - 180)  
 (Through Max. Cd.)  
 # 2 - Horizontal Cone Through Vertical Angle (0)  
 (Through Max. Cd.)

PHOTOMETRICS 90° OPEN



Plot generated with nominal STA-41-01 light source.

Maximum Candela = 13124  
 Located At Horizontal Angle = 135, Vertical Angle = 35  
 # 1 - Vertical Plane Through Horizontal Angles (135 - 315)  
 (Through Max. Cd.)  
 # 2 - Horizontal Cone Through Vertical Angle (35)  
 (Through Max. Cd.)

ORDERING CODES

Product	LEP Series	Optics	Voltage	Options	Mounting	Lens/ Mesh
H400	(411) STA41-01	(90) Open	(V1) 120-277V	(0) Not Applicable	(H) Hook	(C_) Clear Tempered Glass*
	(412) STA41-02	(22) Narrow	(V3) 277-480V	(W) Wireless		(S_) Solite (Prismatic) Tempered Glass
	(253) STA25-03					(A_) Anti-Reflective High Transmittance Glass
						(_) With Mesh**
						(_) Without Mesh

\*Clear tempered glass is standard.

\*\*With mesh, luminaire is FCC Part 18 Class A compliant. Clear tempered glass is standard.

ORDERING ENTRY

Contractor Code	QTY	Product	LEP Series	Optics	Voltage	Options	Mounting	Lens/ Mesh
Example	100	H400	412	90	V1	0	H	S1

ORDER INFORMATION

Contact: \_\_\_\_\_ Company: \_\_\_\_\_

Phone: \_\_\_\_\_ Fax: \_\_\_\_\_ Email: \_\_\_\_\_

Project Name/Description: \_\_\_\_\_